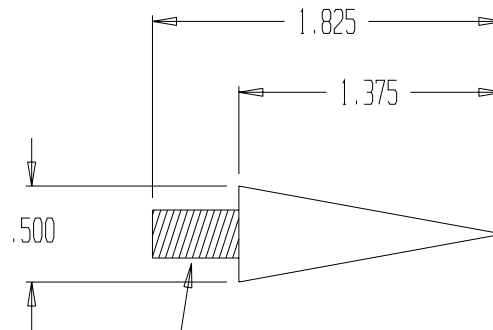


REVISIONS			
REV	DESCRIPTION	DATE	APPROVED
-		-	-



Standard 1/4-20 or M6 threads available

Material: Free Machining Brass
 Finish: Black or Gold Nickel
 Part Weight: .026 lbs

Machine cut per supplied CAD geometry

All tolerances: +/- .015" UDS		SpeakerFeet.com		
Released 5-29-07	SIZE	FSCM NO.	DWG NO.	REV
	SCALE	N/A	1.375" Brass Speaker Foot	-
			SHEET	1 of 1